

# AC/DC Current Probe

## Model CP30\_11

The CP30\_11 current probe is based on Hall Effect technology for use in measurement of both DC and AC current.



### Electrical Characteristics

Measuring Range.....	: 30 A DC or AC <sub>PEAK</sub>
Overload Capacity.....	: 500 A
Output Sensitivity.....	: 100 mV/A (w.r.t 0V)
DC Accuracy (at +25°C).....	: ± 1% of reading ± 2 mA
Linearity.....	: ± 0.2%
Resolution.....	: ± 1 mA
di/dt Response.....	: 20A / μs
Response time.....	: better than 1 μs
Load Impedance.....	: > 50 kΩ
Frequency Range.....	: DC to 20 kHz (-3 dB)
Temperature Coefficient.....	: ± 0.01% of reading per °C
Zero Drift.....	: ± 50 mV max
Power Supply.....	: + 12 V ± 5%, external
Current Consumption.....	: 30 mA + 1 mA/A measured
External Field Rejection (at 50 A DC).....	: 350 : 1

### General Characteristics

Maximum Conductor Size.....	: 32 mm diameter
Output Connection.....	: 2 m long screened cable, .....: not terminated
Output Zero.....	: External zero correction
Operating Temperature Range.....	: 0 to +50 °C
Storage Temperature Range.....	: -20 to +85 °C

---

#### GMC-I PROSys Ltd.

Allied Business Centre | 1 Potter Place | Skelmersdale Lancashire | WN8 9PH | United Kingdom  
Telephone: +44 (0) 1695 567280 | Fax: +44 (0) 1695 567299  
www.i-prosys.com | sales@i-prosys.com

Registered Company Number: 5116760  
Vat Number: GB863880193

## Connection Details

Colour	Function
Red	+ 12 V
Green	0 V
White	Output +
Black	Output -
Screen	No Connection

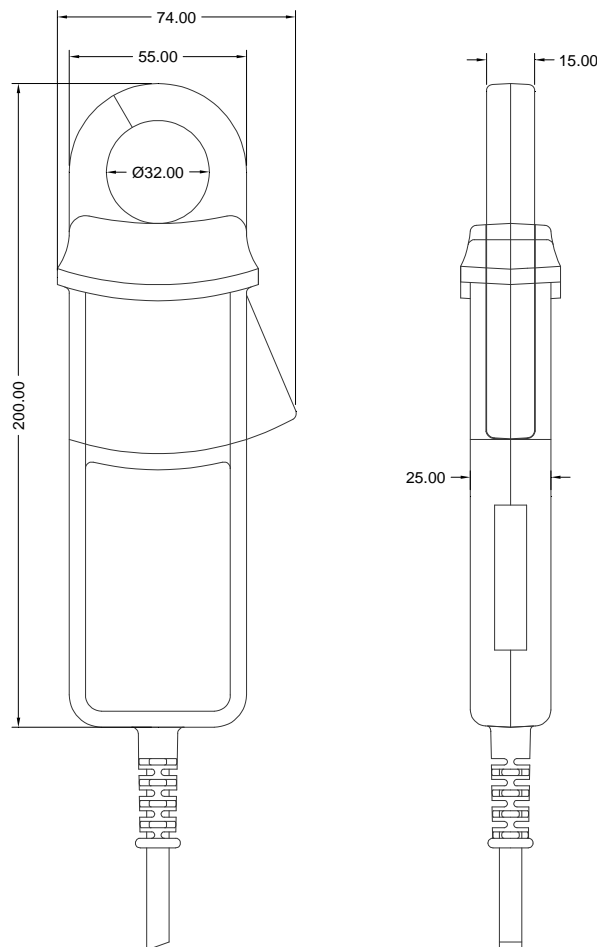
## Safety Standards

BS EN 61010-1: 2001  
 BS EN 61010-2-032: 2002  
 BS EN 61010-031: 2002

## EMC Standards

BS EN 61326-2-2 :2006

## Dimensions



CP30\_11\_120308\_01

### GMC-I PROSyS Ltd.

Allied Business Centre | 1 Potter Place | Skelmersdale Lancashire | WN8 9PH | United Kingdom  
 Telephone: +44 (0) 1695 567280 | Fax: +44 (0) 1695 567299  
 www.i-prosys.com | sales@i-prosys.com

Registered Company Number: 5116760  
 Vat Number: GB863880193