

# AC/DC Current Probe CP150\_10



## Electrical Characteristics

Current Range.....	: 150A DC or AC pk
Overload capability.....	: 500A DC (for 1 min)
Output Sensitivity .....	: 50mV/A (w.r.t. 0V)
Accuracy (+25 °C).....	: ± 1% of reading ± 2mA
Resolution.....	: ± 1mA
Error due to Earth's Magnetic Field.....	: ± 10mA max
Conductor Position Sensitivity (6mm. dia. conductor) ...	: ± 0.2% relative to centre reading
Zero Offset (+25 °C).....	: ± 100mA max.
Zero Drift (0 °C to +50 °C).....	: ± 20mA / °C
Load Impedance .....	: > 10kΩ and ≤ 100pF
Frequency Range.....	: DC to 100kHz (- 1dB)
Temperature Coefficient.....	: ± 0.02% of reading / °C
Jaws Open Status .....	: 0V (Lo)
Jaws Closed Status.....	: + V Supply (Hi)
Power Supply.....	: ± 10.5V to ±16V
External Field Rejection Ratio.....	: 500 : 1
Current Consumption .....	: 30mA + 1mA/A measured (200mA max)
Working Voltage (see Safety Standards section).....	: 300V AC <sub>RMS</sub> or DC

## General Characteristics

Maximum Conductor Size .....	: 32mm diameter
Relative zero correction.....	: Auto zero at switch on
Jaws Open Indication.....	: Red LED on front and back side of case
Output Connection .....	: 2.90 metres unterminated screened cable
Operating Temperature Range.....	: 0 to +50°C
Storage Temperature Range.....	: -20 to +85°C
Operating Humidity .....	: 15% to 85% (non condensing)

CP150\_10\_100909\_01

### GMC-I PROSyS Ltd.

Allied Business Centre | 1 Potter Place | Skelmersdale | Lancashire | WN8 9PH | United Kingdom  
Telephone: +44 (0) 1695 567280 | Fax: +44 (0) 1695 567299  
www.i-prosys.com | sales@i-prosys.com

Registered Company Number: 5116760  
Vat Number: GB863880193

## Connection Details

Colour	Function
Red	+ Supply
Blue	- Supply
Green	0V
White	Output
Black	Output (0V)
Yellow	Jaw Status

## Safety Standards

BSEN61010-1: 2001

BSEN61010-2-032: 2002

BSEN61010-031: 2002

300 V<sub>RMS</sub>, Category III, Pollution Degree 2

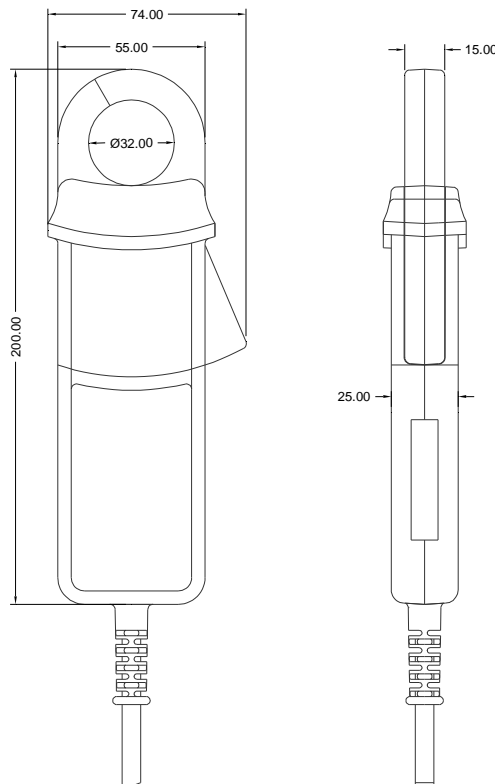
Output limited to 30V to Earth (Unterminated)

## EMC Standard

BSEN 61326-2-2:2006

Use of the probe on **uninsulated conductors** is limited to 300V AC<sub>RMS</sub> or DC and frequencies below 1kHz.

## Dimensions



CP150\_10\_100909\_01

## GMC-I PROSys Ltd.

Allied Business Centre | 1 Potter Place | Skelmersdale | Lancashire | WN8 9PH | United Kingdom

Telephone: +44 (0) 1695 567280 | Fax: +44 (0) 1695 567299

www.i-prosys.com | sales@i-prosys.com

Registered Company Number: 5116760

Vat Number: GB863880193