

AC/DC Current Probe

Model CP500_4

The CP500_4 current probe is based on Hall Effect technology for use in measurement of DC, AC and complex waveform current.



Electrical Characteristics

Current Ranges	: 500 A AC _{pk} or DC
Output Sensitivity	: 8 mV/A w.r.t 0V
Overall Accuracy (at +25°C)	: ± 1% of reading ± 200 mA
Resolution	: ± 100 mA
Load Impedance.....	: > 10 kΩ and ≤ 100 pF
Frequency Range.....	: DC to 1kHz (-3dB)
Power Supply	: 8-14 V External
Temperature Coefficient	: ± 0.1% of reading per °C
Working Voltage (see Safety Standards section).....	: 300 V AC _{RMS} or DC

General Characteristics

Maximum Conductor Size	: 32 mm diameter
Output Connection	: Screened cable, 2.9m long
Output Zero	: Auto zero via push button
Operating Temperature Range.....	: 0 to +50 °C
Storage Temperature Range.....	: -25 to +85 °C
Shock.....	: 50G; 6 ms half sine pulse: ± X,Y, Z
Drop Test.....	: One drop from 1 m onto steel
.....	: on any corner and face

CP500_4_120323_01

GMC-I PROSyS Ltd.

Allied Business Centre | 1 Potter Place | Skelmersdale Lancashire | WN8 9PH | United Kingdom
Telephone: +44 (0) 1695 567280 | Fax: +44 (0) 1695 567299
www.i-prosys.com | sales@i-prosys.com

Registered Company Number: 5116760
Vat Number: GB863880193

Connection Details

Colour	Function
Red	+V
Green	0V
White	O/P+
Black	O/P-
Screen	N/C

Safety Standards

BS EN 61010-1: 2001
 BS EN 61010-2-032: 2002
 BS EN 61010-031: 2002

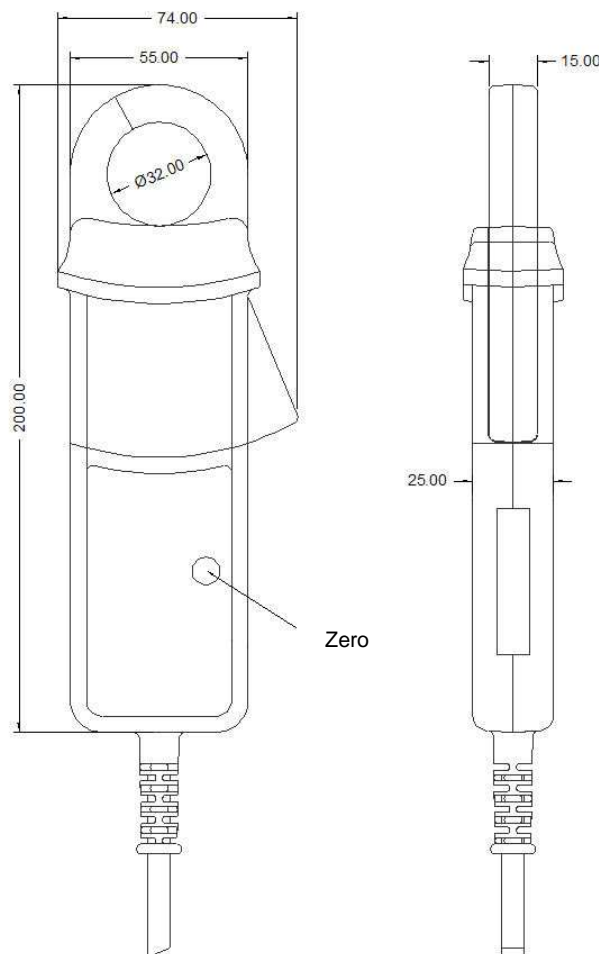
300 V_{RMS}, Category III, Pollution Degree 2

Use of the probe on **uninsulated conductors** is limited to 300 V AC_{RMS} or DC and frequencies below 1 kHz.

EMC Standards

BS EN 61326-2-2 :2006

Dimensions



CP500_4_120323_01

GMC-I PROSyS Ltd.

Allied Business Centre | 1 Potter Place | Skelmersdale Lancashire | WN8 9PH | United Kingdom
 Telephone: +44 (0) 1695 567280 | Fax: +44 (0) 1695 567299
 www.i-prosys.com | sales@i-prosys.com

Registered Company Number: 5116760
 Vat Number: GB863880193